



LOFT SERIES DIRECT-VENT FIREPLACES





Loft Medium Direct-Vent  
Fireplace with Matte Black  
and Stainless Steel Surround

## Loft Contemporary Direct-Vent Fireplaces

Loft Series fireplaces deliver warmth - along with a clean pallet to let you exhibit your flair for contemporary design.

Designed for in-wall or mantel installation, your direct-vent Loft fireplace features state-of-the-art technology for extraordinary performance.

Black porcelain lines the fireplace interior, including the burner top, creating a subtle reflective surface that enhances the appearance of depth. Flickering yellow flames dance atop the linear burner echoing their light off the glass and the porcelain liner to create a nearly infinite flame effect - making your Loft fireplace mesmerizing from any angle.

## Loft Contemporary See-Through Direct-Vent Fireplaces

At just 18 inches deep, this Loft Fireplace provides the see-through contemporary look without cutting into your floor space.

The Loft See-Through Fireplace includes our premium RF remote control that allows you to vary the flame height and blower speed, and operate the light - all from the comfort of your recliner.

The standard black porcelain liner adds to the feeling of depth. Two optional surrounds - matte black and matte black with stainless steel - suit this ultra-contemporary looking system.

Loft Direct-Vent fireplaces install with 4 x 6 5/8-inch vent pipe.



Loft Medium Direct-Vent Fireplace with  
Matte Black Surround



Loft See-Through Direct-Vent  
Fireplace with Matte Black  
and Stainless Steel Surround

## Surrounds and Accessories

The required metal surround is available in two styles. The elegant matte black surround frames the fireplace and emphasizes the interior. The two-tone surround - with bold stainless steel panels at the top and bottom joined by matte black verticals - accentuates the horizontal flow of the fireplace and makes a thoroughly modern statement.

Put a twinkle in your Loft fireplace by covering the burner top with the optional decorative glass. Choose from lustrous Black Polished, Blue Clear, and Clear Frost. Your dealer may offer additional colors.

Fireplace screens, available as options for all direct-vent systems, protect you and your family from inadvertently touching the hot glass.



Black Polished  
Decorative Glass



Blue Clear  
Decorative Glass



Clear Frost  
Decorative Glass



Optional fireplace screens maintain a safe distance between you and the hot glass without detracting from the overall view of the fireplace.

## Fireplace Controls

Our Millivolt systems operate without electricity to provide heat even in a power outage. Take charge of your Millivolt fireplace with an optional on-off remote control or wall switch.

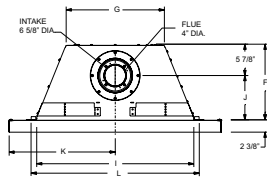
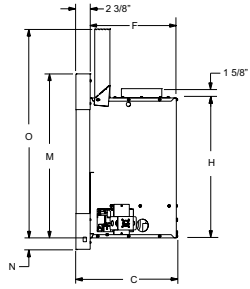
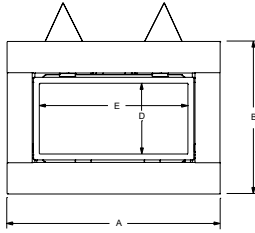


Our Green Earth Preferred™ Intermittent Pilot (IP) systems put the green in contemporary living. IP systems include an on/off remote control to light your fireplace from anywhere in the room. They improve efficiency by eliminating the standing pilot light - which helps save energy and your money. In the event of a power outage, your IP system can be switched to operate with a standing pilot and will provide heat until power is restored.

# Loft Series Direct-Vent Fireplace Dimensions (in inches)

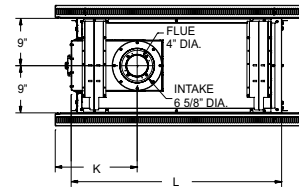
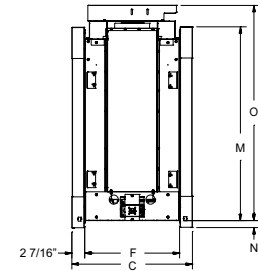
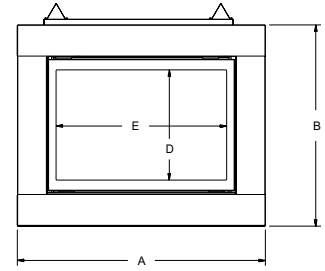
## Conventional

	DVL25FP	DVL33FP
A	37 1/2	40 1/2
B	26	29
C	14 1/4	16 3/4
D	10 7/16	13 7/16
E	25 1/4	28 1/4
F	12 7/8	14 3/8
G	17	18 7/8
H	20 1/8	23 1/8
I	27	30
J	6 7/8	8 1/2
K	18 3/4	20 1/4
L	29	32
M	24 3/16	27 3/16
N	2	2
O	31 3/8	34 3/8



## See-Through

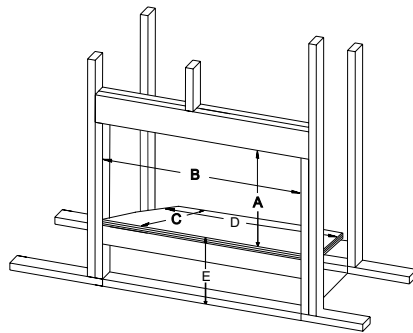
	DLCX36ST
A	47 1/4
B	38 5/16
C	23
D	21
E	32 1/2
F	18 1/16
G	-
H	-
I	-
J	-
K	15 5/8
L	40 1/16
M	36 5/16
N	1 5/16
O	41



# Minimum Combustible Framing Dimensions

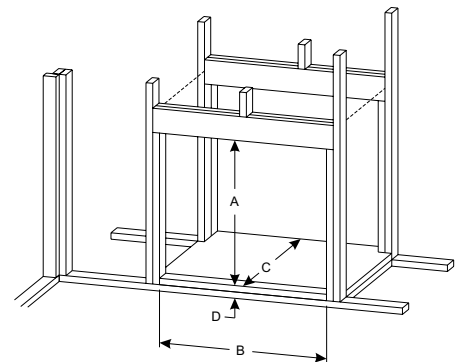
## Conventional

	DVL25FP	DVL33FP
A	32 1/4	35 1/4
B	29	32
C	15 1/2	17
D	21	22 3/4
E	4 (Min.)	4 (Min.)



## See-Through

	DLCX36SP
A	41 1/2
B	40 1/2
C	17
D	3 (Min.)



GAS INLET		WARRANTY
Type of Gas (State on Order)	Natural or LP	All vented parts carry a 3-year limited warranty.
Iron Pipe Size (N.P.T.)	1/2 inch	
Ignition Systems	Standing Pilot/Piezo or IP	

Empire is committed to continuous product improvement; specifications are subject to change without notice. Dimensions in this brochure are approximate; read and follow the framing dimensions in the owners manual supplied with your Empire product. Specifications are subject to change without notice. Flame size, shape, and color will vary from photos

Member of the following industry associations:



This appliance is design-certified to the ANSI standard by:



Empire Comfort Systems  
918 Freeburg Ave. Belleville, IL 62220-2623  
info@empirecomfort.com

ECS-00903 10/5/11  
The Empire Comfort Systems names and logos are registered U.S. trademarks.